

CPA Series Centrifugal Pump

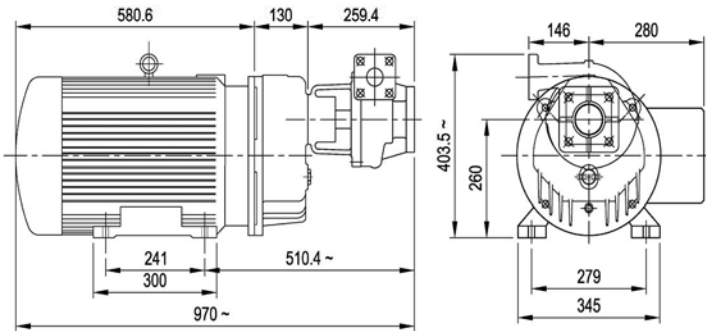
- ★ For LOX, LIN, LAR, LNG, LCO₂, LN₂O
- ★ Road tanker loading/unloading
- ★ Tank to tank transfer
- ★ 200 Meter differential head
- ★ Worldwide after sales support

Special Features

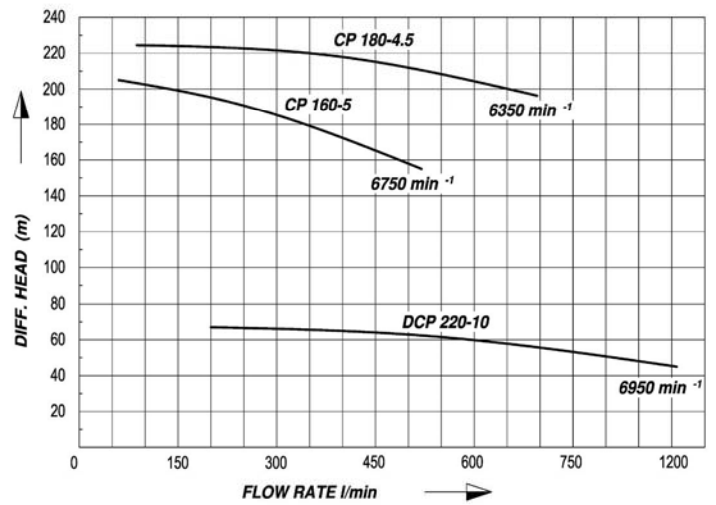
- ★ High hydraulic efficiency
- ★ Gear box / Direct couple models
- ★ Integrated Boost System (IBS) for extremely low NPSH operation
- ★ Long life mechanical seal
- ★ Tin bronze material for oxygen service
- ★ Low Noise, High reliability

CPA Series Centrifugal Pumps

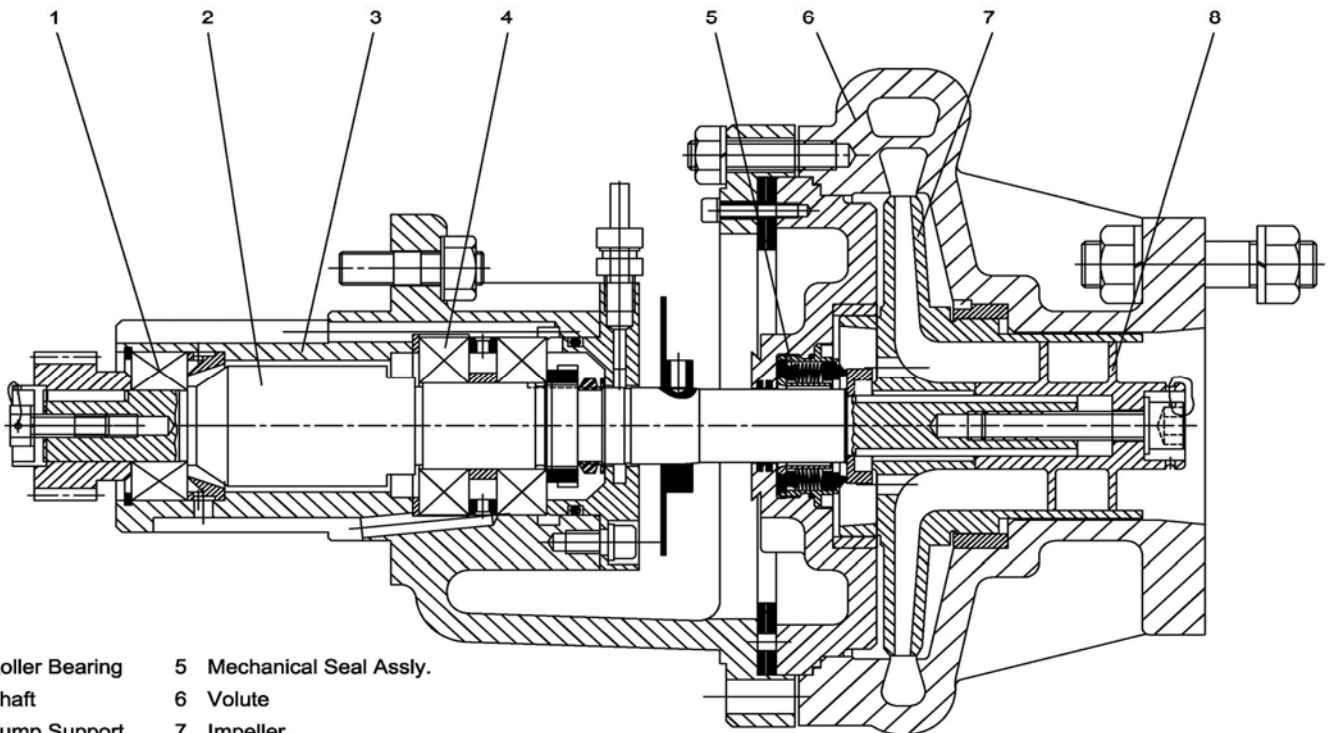
Dimensions



Performance



CPA 160-5



- | | |
|------------------|--------------------------|
| 1 Roller Bearing | 5 Mechanical Seal Assly. |
| 2 Shaft | 6 Volute |
| 3 Pump Support | 7 Impeller |
| 4 Ball Bearing | 8 Inducer |

INDIAN COMPRESSORS LTD.
Cryopump Asia Division

sales@didwania.com
www.didwania.com