

Pump ID Meaning

Model	Piston Ø mm	Piston Stroke in mm	3 or 6 Ton crank drive
RP	22	20	T3
	30	32	
	36	40	T6
	40		
45			



RP Series Cryogenic Pumps

- ★ Reciprocating high pressure pumps
- ★ For LOX, LIN, LAR, LNG
- ★ 300 bar filling pressure
- ★ Turnkey filling station for fully automatic operation
- ★ Worldwide after sales support

Special Features

- ★ Quick cool down
- ★ Low Maintenance
- ★ 'DA' Double suction - Piston for low NPSH
- ★ Long seal life
- ★ Vacuum insulated cold-end
- ★ Reduced gas losses

INDIAN COMPRESSORS LTD.

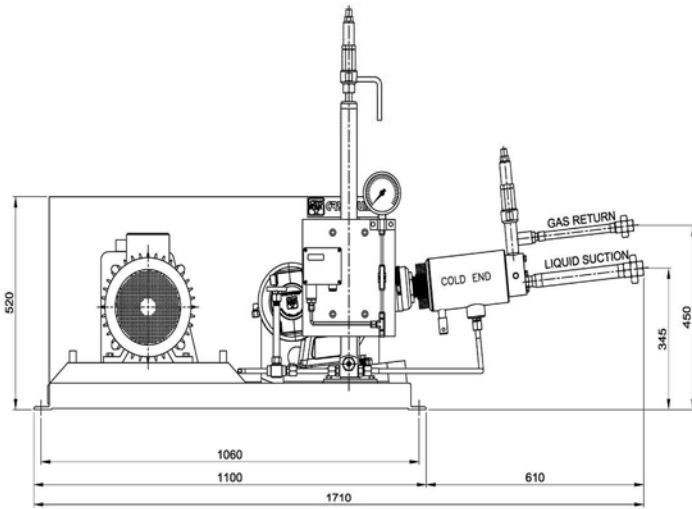
Cryopump Asia Division

sales@didwania.com

www.didwania.com

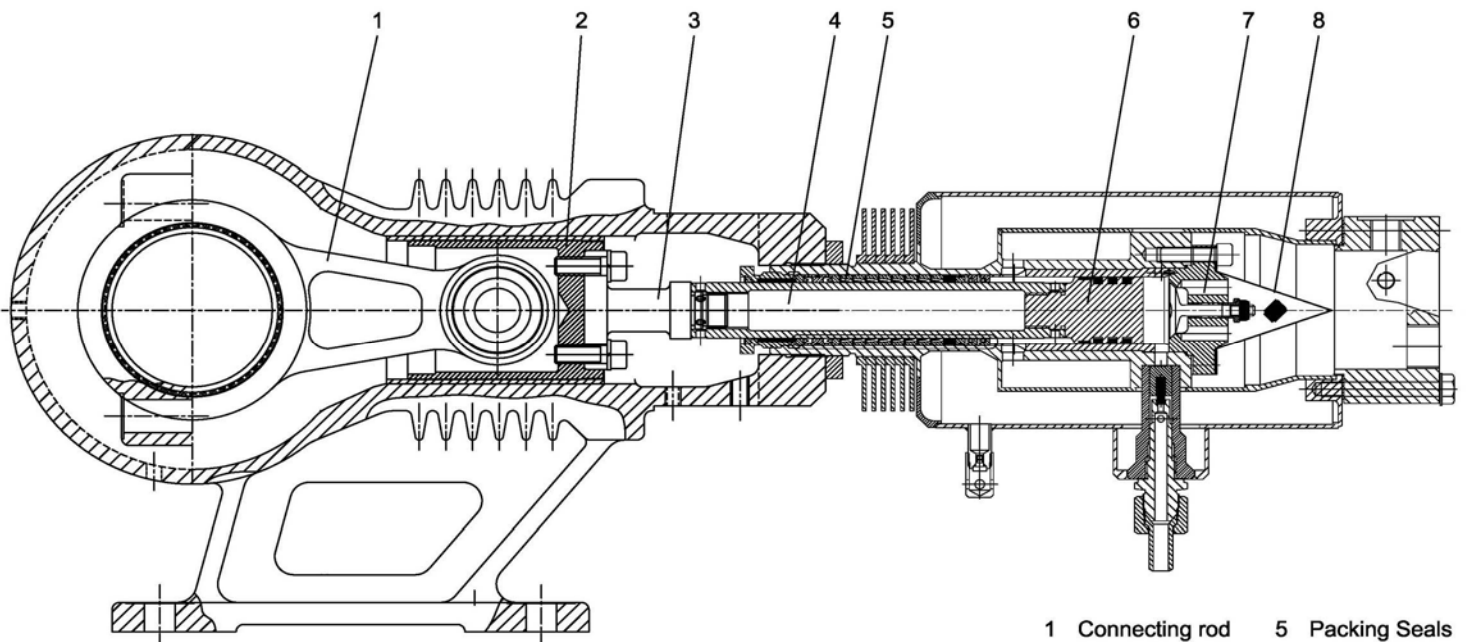
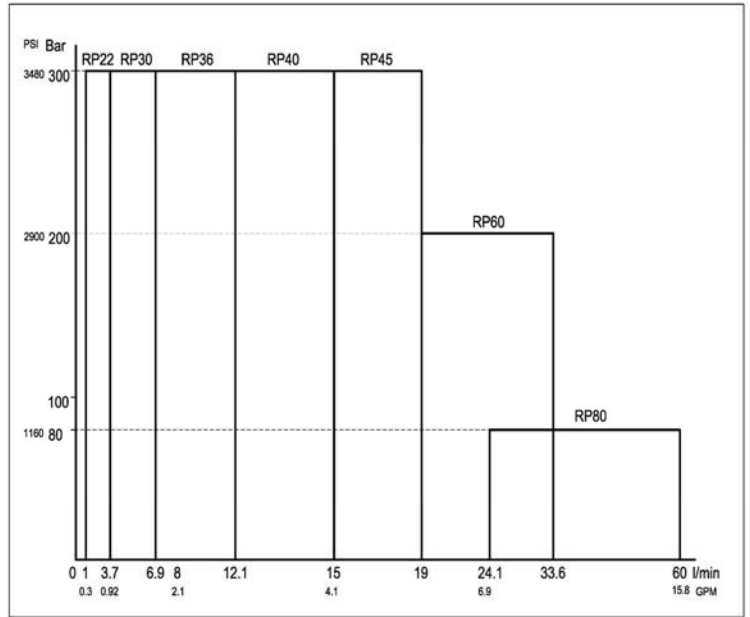
RP Series Cryogenic Pumps

Dimensions



RP36/32

Performance



- | | |
|------------------|------------------|
| 1 Connecting rod | 5 Packing Seals |
| 2 Cross Head | 6 Piston Head |
| 3 Connector | 7 Suction Valve |
| 4 Piston Rod | 8 Suction Filter |

INDIAN COMPRESSORS LTD.

Cryopump Asia Division

sales@didwania.com

www.didwania.com